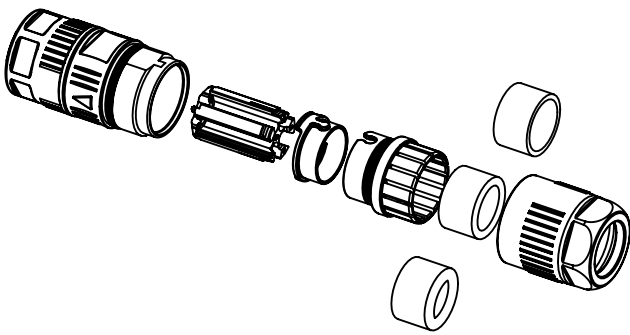


order contacts separately

cable Ø	wire gauge	part number
		4 x female contact
6.6 - 11.6mm	2.5mm ² / AWG14	21 01 100 9940
	1.5mm ² / AWG16	21 01 100 9939
	0.75mm ² / AWG19	21 01 100 9965
	0.5mm ² / AWG20	21 01 100 9964



All Dimensions in mm Original Size DIN A4		Scale 1:1	Free size tol.		Ref.
All rights reserved Department EL PD		Created by HASSE	Inspected by FRIESENH	Standardisation	Date 2021-09-10
HARTING D-32339 Espelkamp		Title M12-P-CC-CRIMP-4P-LCOD-F-STR-SHLD			State Final Release
		Type TB	Number 21038962410		Doc-Key / ECM-Nr. 100765698/UGD/001/C 500000202406
					Rev. C Page 1/1